

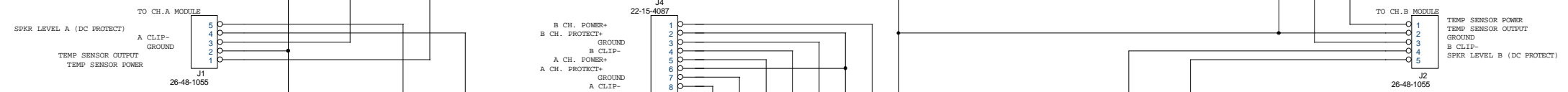
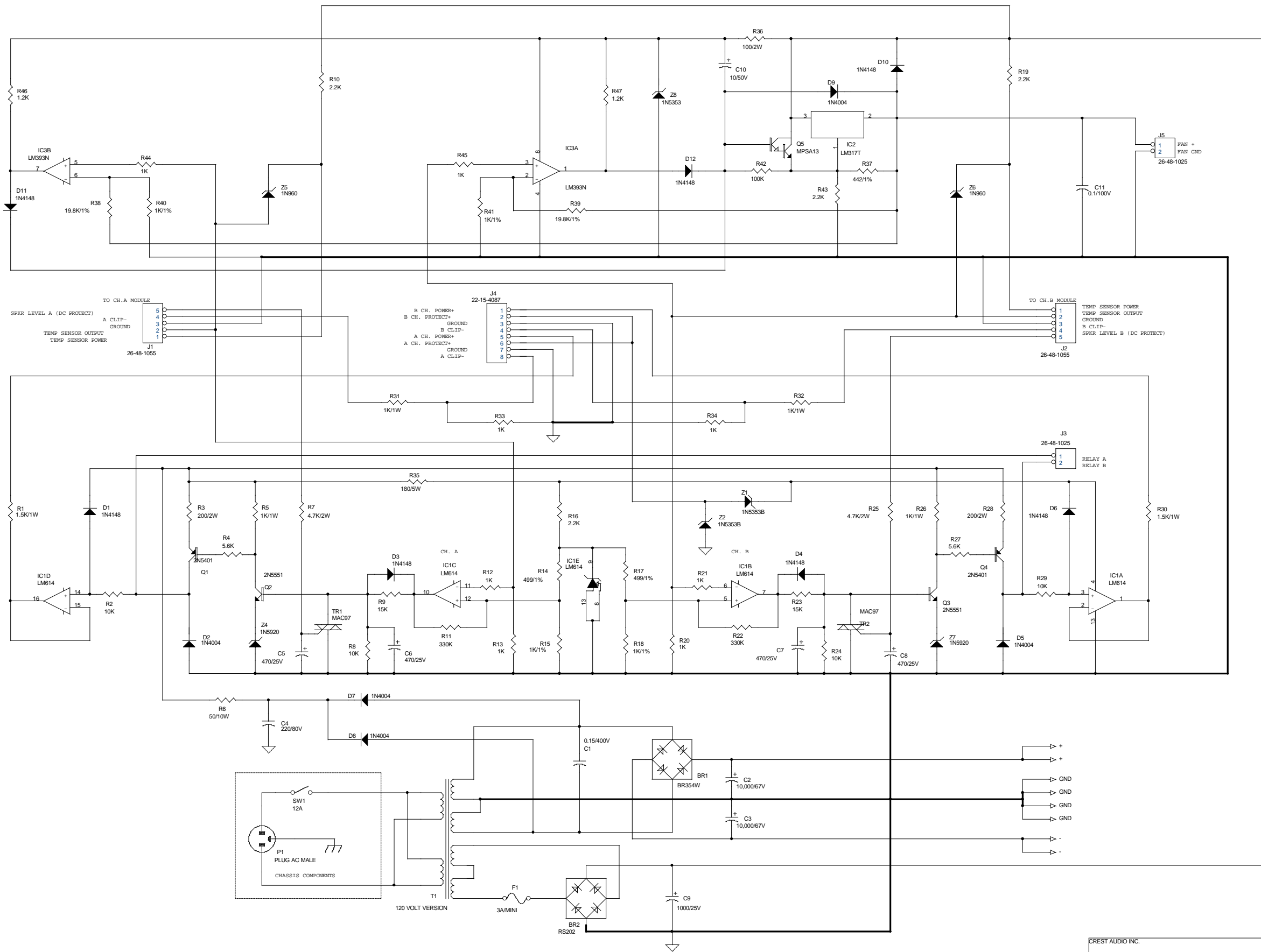


Schematic set

LA Series power amplifiers

1. LA 601 / 901 / 1201 Preamp
2. LA 601 Power supply
3. LA 901 / 1201 Power supply
4. LA 601 Output stage
5. LA 901 Output stage
6. LA 1201 Output stage

Note: The images in this schematic set are formatted for printing on 11" X 17" tabloid size paper. The schematic set can be printed on 8.5" X 11" paper by using the "Shrink to fit" option in Adobe Acrobat reader, however some of the details will be very small.

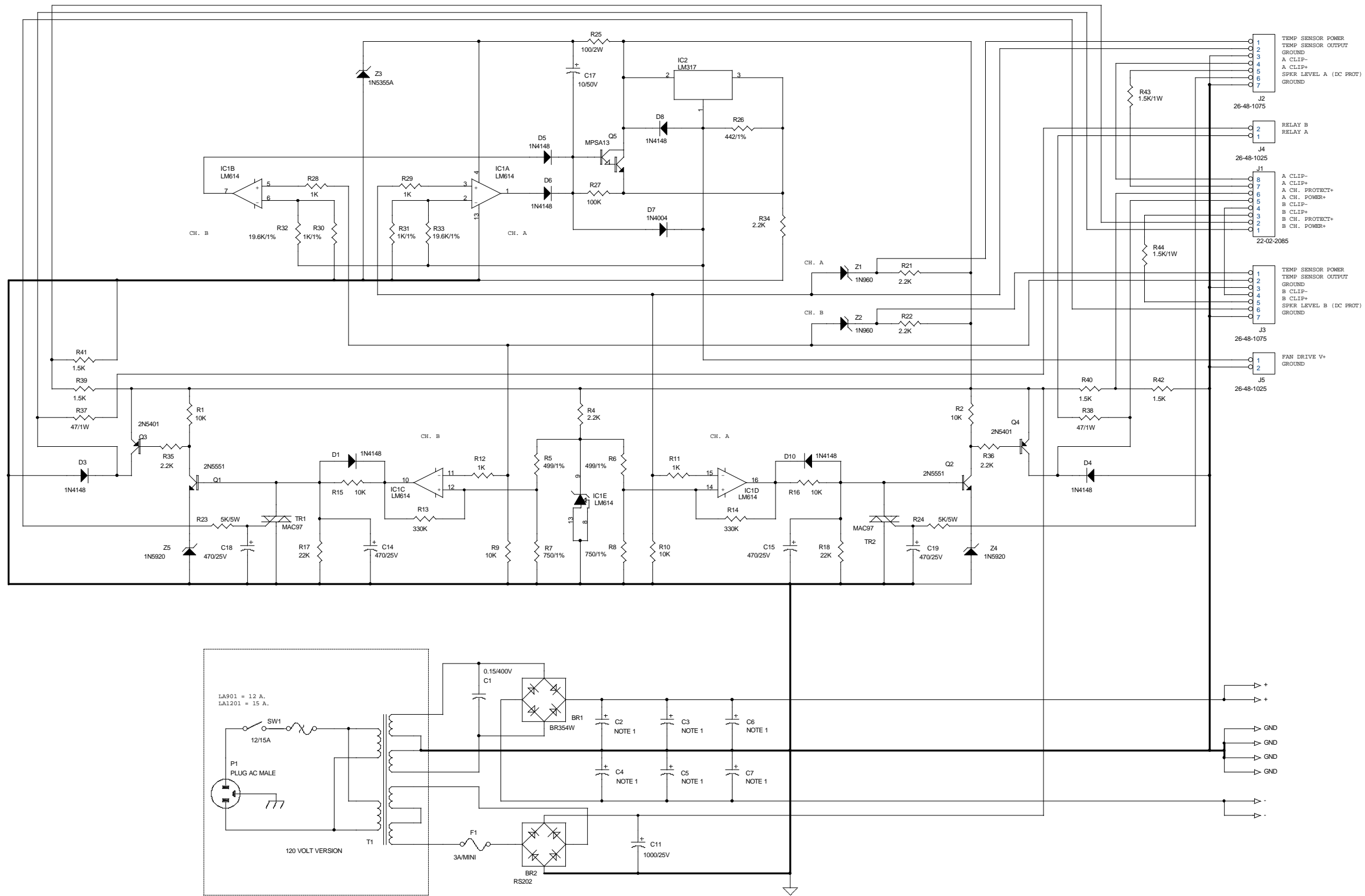


CREST AUDIO INC.
 150 Florence Ave.
 Hawthorne NJ 07506

File: LA601 POWER SUPPLY PCB SCHEMATIC

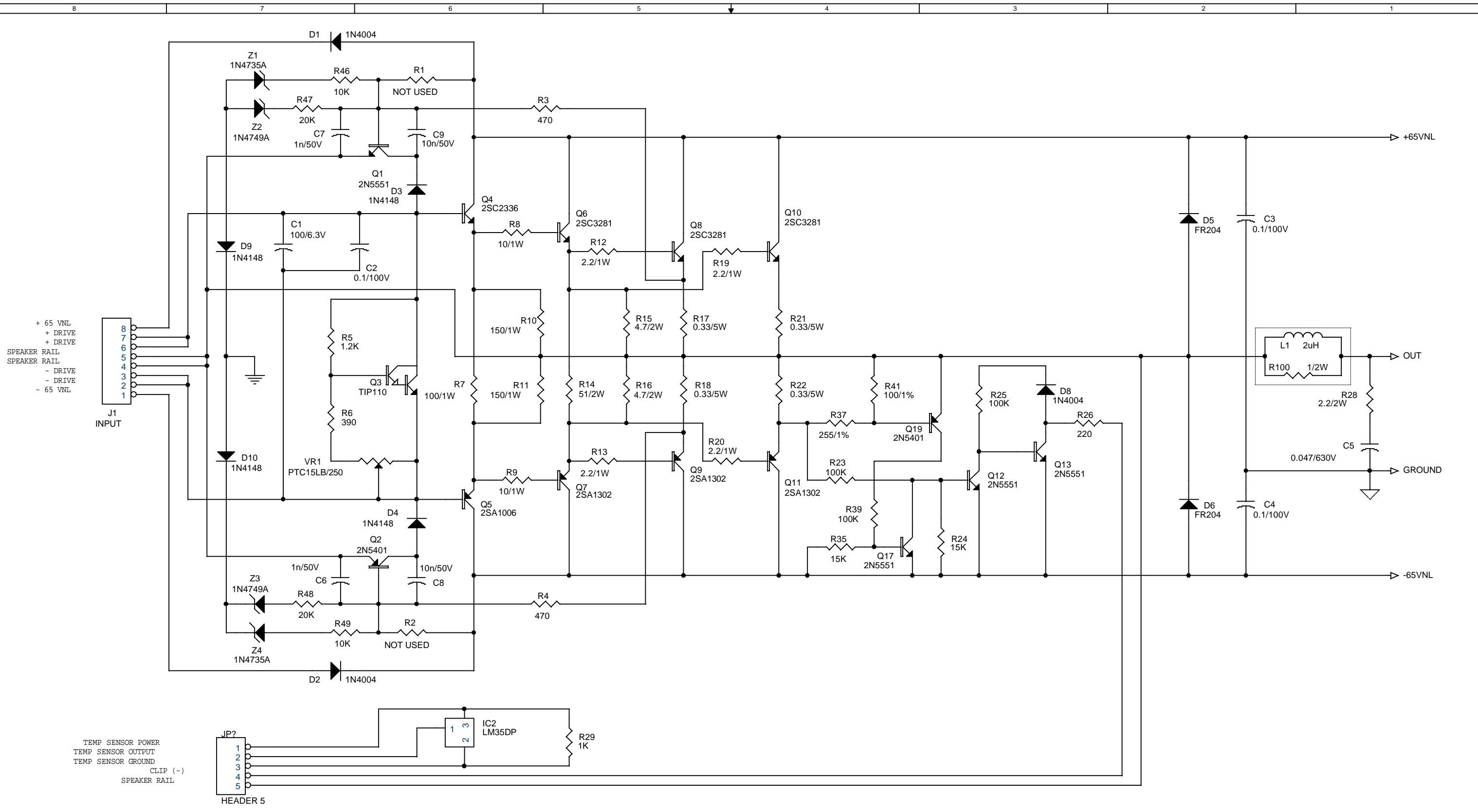
Size C	Document Number 21C1101	Rev 04
--------	-------------------------	--------

Date: Thursday, May 18, 2000 Sheet 1 of 1



NOTE 1
 C2 - C5 ARE 7,300µF/80V ON MODEL LA901. C5, C7 ARE NOT USED.
 C2 - C7 ARE 6,800µF/90V ON MODEL LA1201.

CREST AUDIO INC.		
150 Florence Ave. Hawthorne, NJ 07506		
File LA901/1201 POWER SUPPLY/FAN DRIVER PCB		
Size C	Document Number 21C1127	Rev
Date: Tuesday, May 16, 2000	Sheet 1 of 1	



4/14/92 R37 changed from 274/1% to 255/1%

CREST AUDIO INC.		
150 Florence Ave. Hawthorne, NJ 07506		
Title LA601 OUTPUT STAGE		
Size B	Document Number 21B1157	Rev 01
Date: Thursday, May 18, 2000	Sheet 1	of 1

